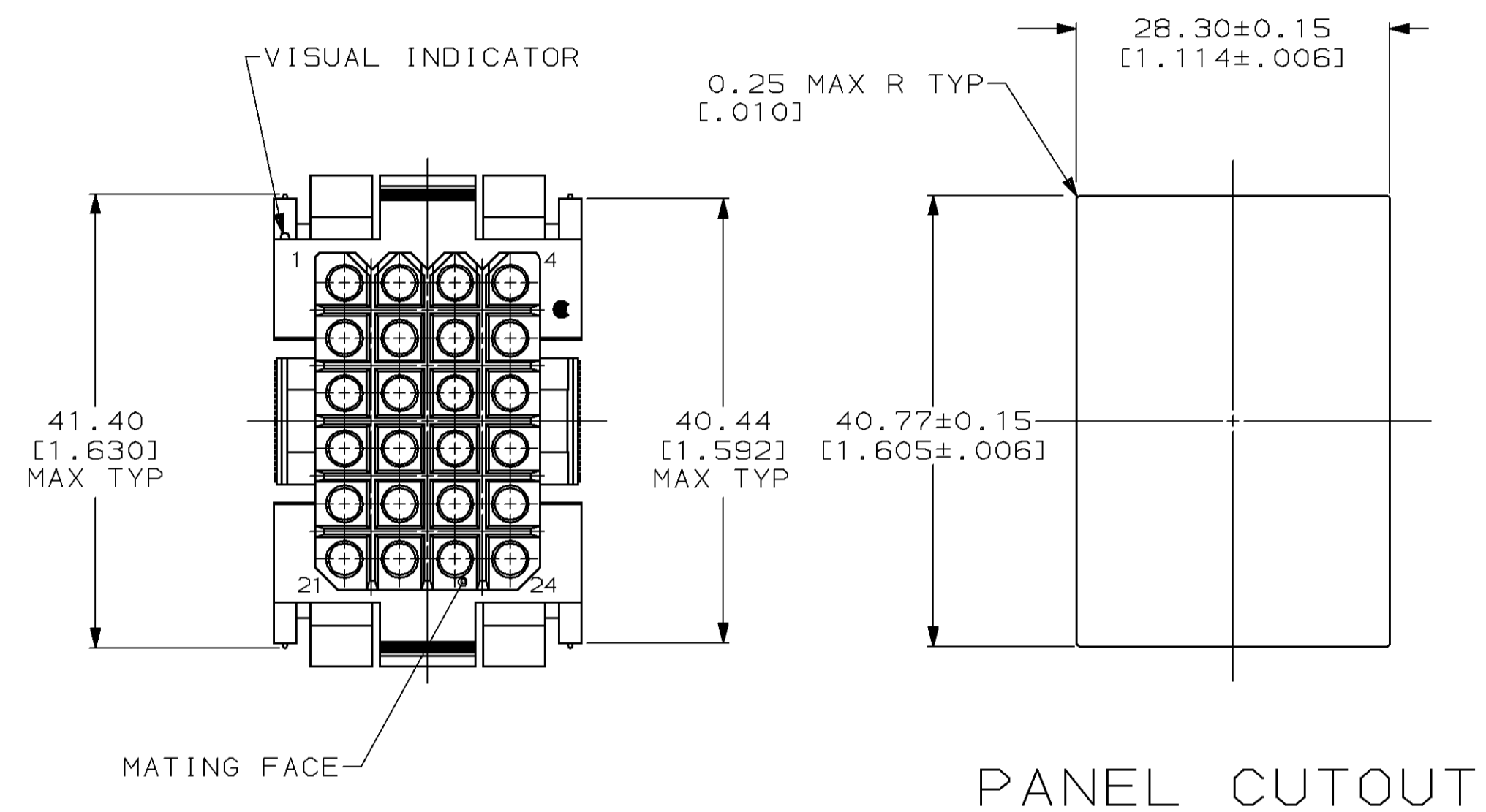
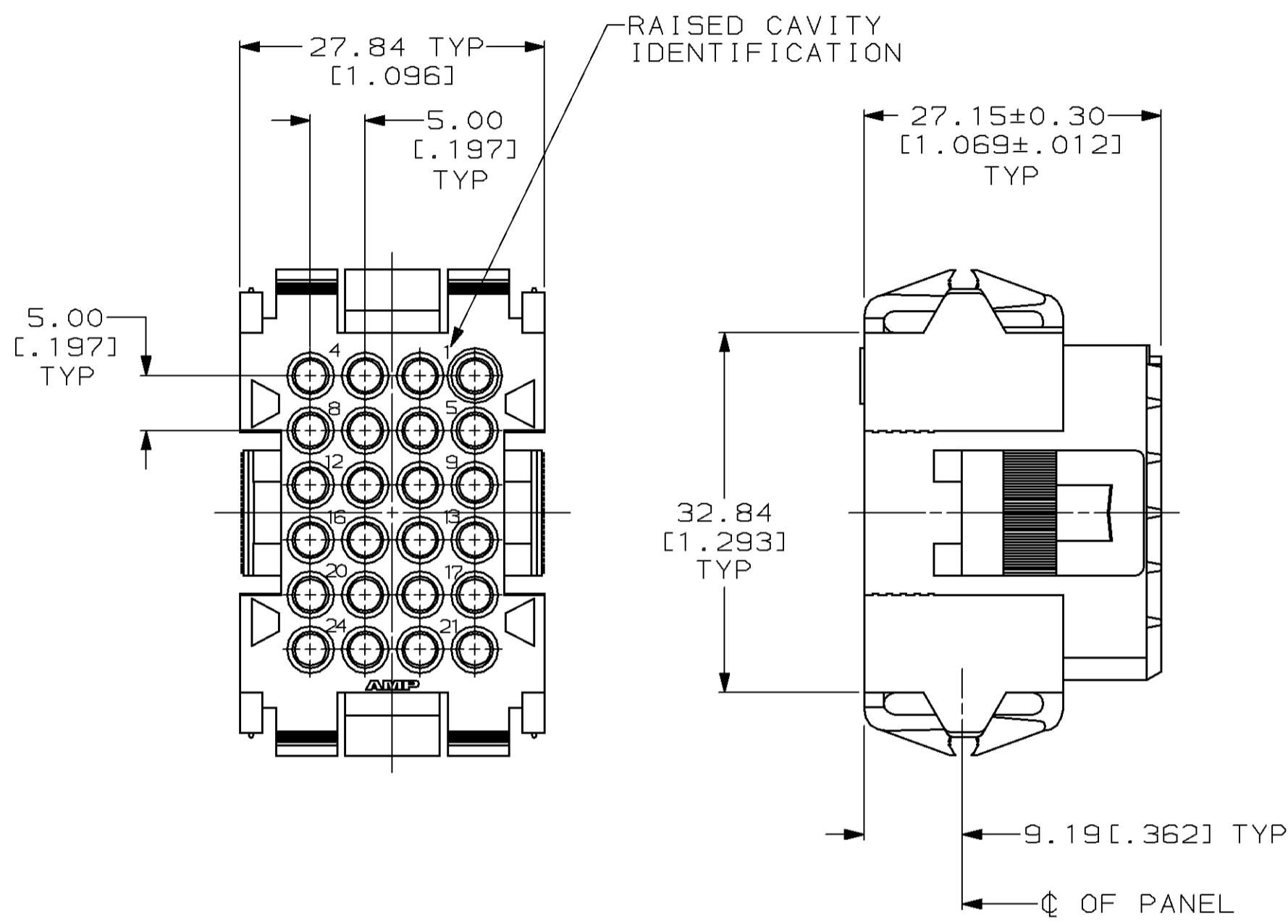


MOD		LOC		DIST		REVISIONS			
ZONE	LTR	DESCRIPTION	DATE	APPD					
1	BD	37	P	F					
					N	REDRAWN & REVISED PER ECN BD6668	08/26/92	-	
					P	REV PER EC 0020-250-94	03/24/94	AT	



1. PANEL RETENTION MECHANISM ACCOMMODATES PANEL THICKNESSES FROM 0.76 [.030] TO 2.29 [.090].

DO NOT SCALE PRINT. UNLESS SPECIFIED DIMENSIONS IN mm [INCHES] TOLERANCES ON:		DR 08/26/92 W.LENKER		207304-1	
2 PLC DEC ± 0.25 [.010]		CHK 8-31-92 R.STONE		PART NO	
3 PLC DEC ± -		APPD 9-2-92 A.TRAVIS		AMP Incorporated Harrisburg, PA 17105-3608	
ANGLES ± -		APPD 9-3-92 C.ROHDE			
MATERIAL NYLON, COLOR: RED		PRODUCT SPEC 108-10033		NAME	
FINISH -		APPLICATION SPEC -		HOUSING, PLUG, 24 POSITION, METRIMATE	
WEIGHT -		SCALE 2:1		CAGE CODE 00779	
				DRAWING NO G=207304	
				SHEET 1 OF 1	

THIS DRAWING IS A CONTROLLED DOCUMENT FOR AMP INCORPORATED. IT IS SUBJECT TO CHANGE AND THE CONTROLLING ENGINEERING ORGANIZATION SHOULD BE CONTACTED FOR THE LATEST REVISION.